



LN Silent

Rule noise,
perform power.





LN Silent

Comfort and reliability at your fingertips

The LN SILENT ranges perfectly embody ABAC Air Compressors way to do things: always committed to accomplishing customers' needs.

Are you looking for a reliable partner dedicated to high-grade welding sessions, high pressure cleaning tasks or heavy paint spraying jobs? Please take a seat, you are in the right place: this range of stationary piston air compressors can help you in fulfilling the most demanding aims.

Regardless whether your field of application is a semi-professional, professional or industrial one, with ABAC LN SILENT air compressors you are choosing to rely on sound-efficient, high performance machines. New, multiple configurations make these stationary air compressors series proficient when it comes to both intensive and light, repeated uses.

What makes the new LN SILENT your best option?

The LN SILENT series are designed for those seeking flexible and easy-to-use solutions without overlooking power and efficiency. The new canopy relies on the synergy of a metal layer and thick insulating foam, ruling against noise. In other words, you can freely decide to place the air compressor wherever is practical and don't need to make a space fully dedicated to it.

LN SILENT powerful pump(s) – up to 15 bars of pressure – and core elements are enclosed, yet easily reachable thanks to the smartly designed canopy. The complete opening allows quick maintenance operations and results in effective interventions. Moreover, routine setups and configurations can be handily sorted out through the insightfully organized, external panel control.

KEY ELEMENTS



Noise reduction

Low speed pumps, optimized air flow and integrated air buffer to avoid air pulsation in the vessel.



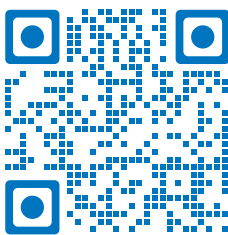
High performances

Twin stage technology introduction to provide higher volumetric efficiency than single stage.



Extra reliability

Optimized cooling air flow and less wear of pump components because of low RPM pumps.

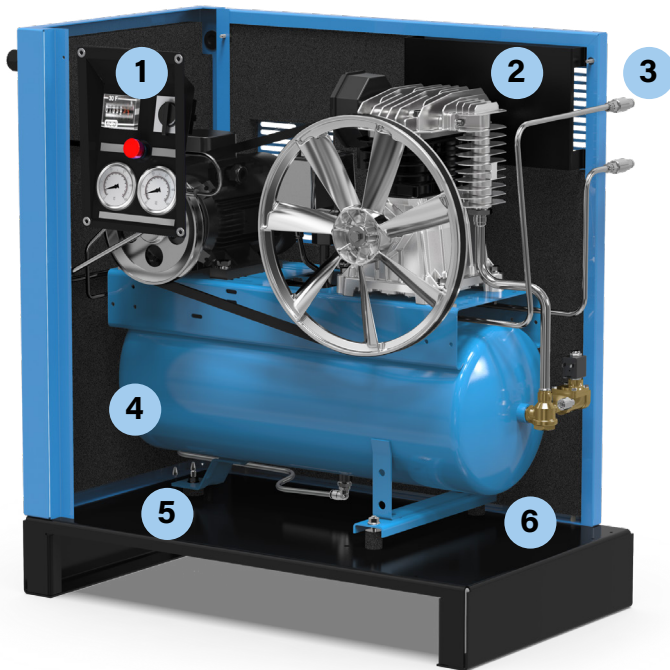


discover more!

Canopy S0

2-3 HP

Integrated vessel 27l.



1. Use-friendly, easy to use interface

Control panel with pressure regulator, pressure gauges (tank pressure and working pressure) and hour counter

2. Lower noise level

Cooling air flow optimized to reduce noise

3. Easy to use

Double air outlet with quick connections integrated in the canopy

4. More air in a compact design

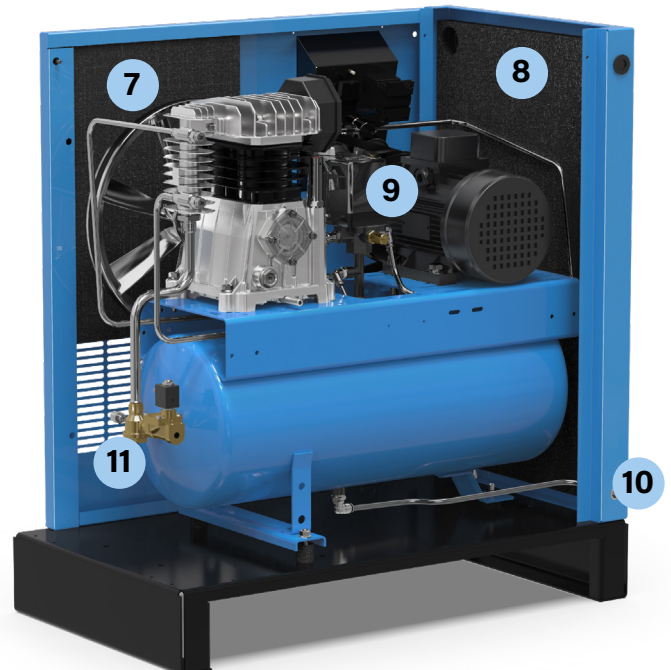
Integrated air tank 27l

5. Lower noise level

Antivibration pads

6. Easy access to service

Dismountable front and back panels



7. Compact and efficient machine cooling

Big multiblade flywheel play role of main fan

8. Lower noise level

Noise insulating foam on all canopy panels

9. Reliability and long lifetime

Pressure switch

10. Easy to drain vessel

Condensate drain valve on the external panel

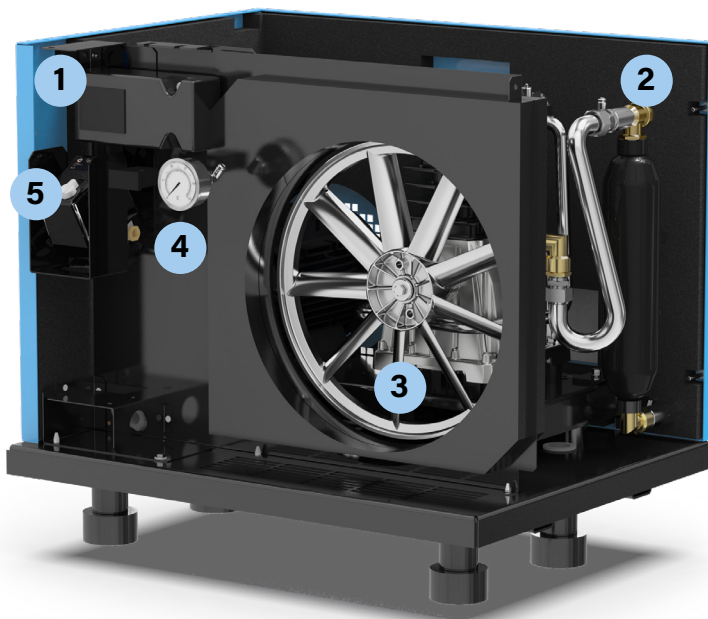
11. Longer life of pump and transmission components

Electro valve for the head discharge

Canopy S1

3-5.5 HP

Base and tank mount, DOL



1. Higher performance, easy to service

Air filter in cool and easy accessible area

2. Lower noise level

Noise insulating foam on all canopy panels

3. Reliability in any conditions

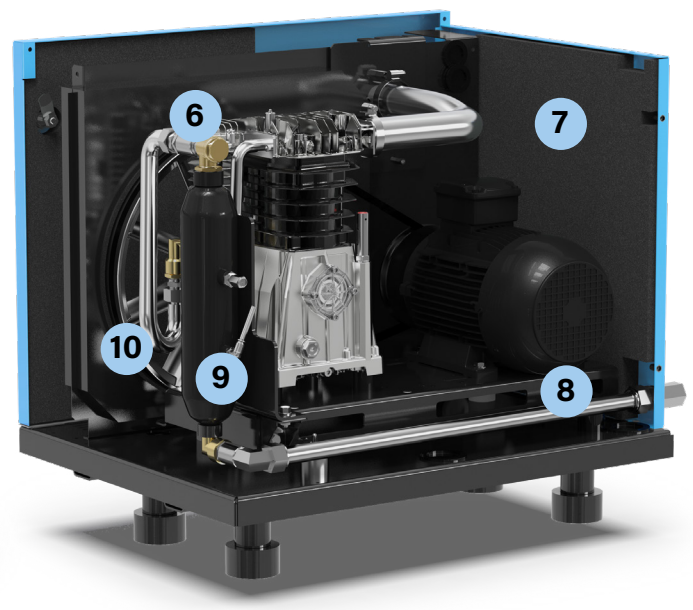
Efficient cooling system using large flywheel

4. Easy to read

Pressure gauge on the front panel, at ergonomic level

5. Reliability and long lifetime

Pressure switch



6. Longer life of pump and transmission components

Non return valve to depressurize head

7. Easy access to internal components

Removable panels for easy maintenance

8. Lower noise level

Antivibration pads

9. Lower noise level

Air damper

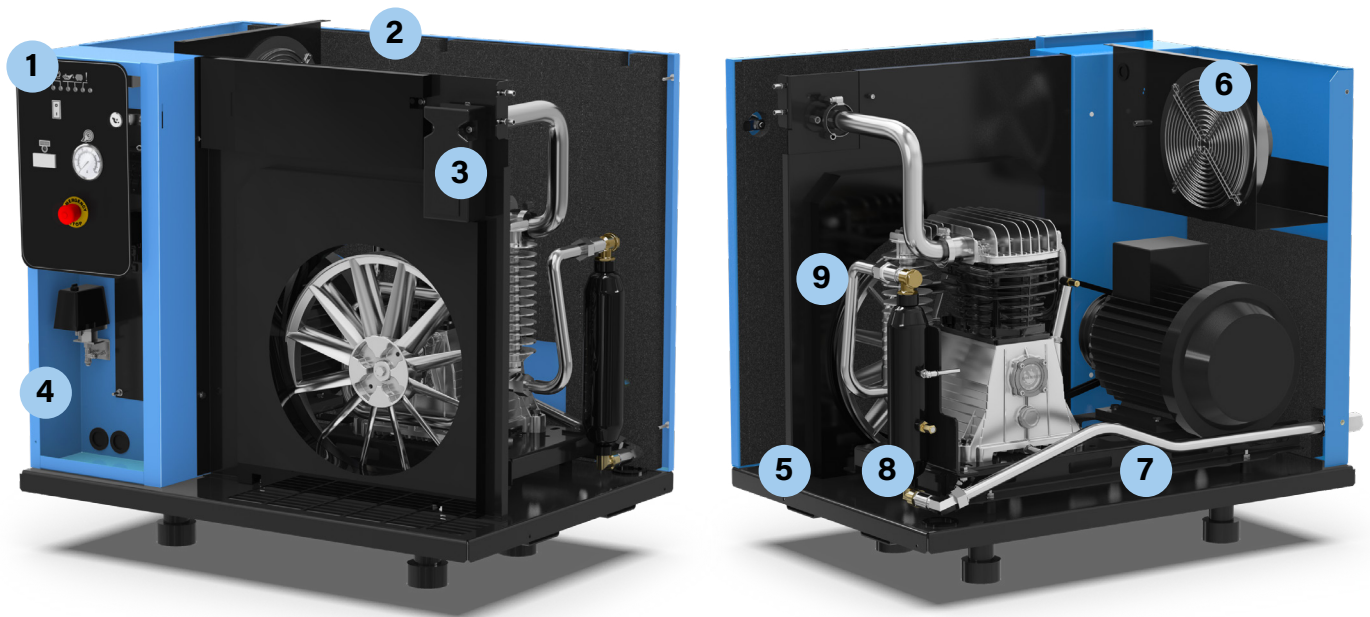
10. Higher performance

Intercooler and aftercooler

Canopy S2

5.5-10 HP

Integrated cubicle, dryer, cooling fan, DOL and YD



1. Control with hour counter, pressure gauge and light indicators:

Power ON/OFF
Load / Unload
Overload alarm
SBE emergency

2. Lower noise level

Noise insulating foam on all canopy panels

3. Higher performance, easy to service

Encapsulated air filter in cool and easy accessible area

4. Easy access to cubicle and motor

Hinged cubicle

5. Easy access to internal components

Removable panels for easy maintenance

6. Optimal working temperature in circumstances, independently from air consumption

Dedicated ventilation fan for better cooling. It is controlled by thermostat, so can run when main motor is OFF.

7. Simple belt tensioning

Belt tensioning sliders

8. Lower noise level

Air damper

9. Lower outlet air temperature

Long aftercooler pipe

The Silent Piston Air Compressor

LN Silent

Off the shelf solutions for your business needs. Hit the target every day.

Choose between multiple configurations.



Model	Part number	Canopy size	L	config.	l/min	Oil	Pump	HP	kW	rpm	Volts	Bar	dB(A)	L x W x H (mm)	kg
LN1 A39B 0 T4 DOL	4116026050	S1	0	F	490	Lubricated	A39B	4	3	1300	400/3/50	10	68	750x 580x761	170
LN1 A49B 0 T4 DOL	4116026049	S1	0	F	553	Lubricated	A49B	4	3	1300	400/3/50	11	69	750x 580x761	170
LN1 A49B 0 T5.5 DOL	4116026053	S1	0	F	598	Lubricated	A49B	5.5	4	1400	400/3/50	11	69	750x 580x 761	170
LN1 B5900 0 T5.5 DOL	4116026059	S1	0	F	570	Lubricated	B5900B	5.5	4	1200	400/3/50	11	67	750x 580x 761	170
LN2 A49B 0 T4 DOL	4116026000	S2	0	F	553	Lubricated	A49B	4	3	1300	400/3/50	11	69	1000x 738x 955	170
LN2 B5900 0 T5.5 DOL	4116026002	S2	0	F	570	Lubricated	B5900B	5.5	4	1200	400/3/50	11	67	1000x 738x 955	177
LN2 B5900 0 T5.5 YD	4116026003	S2	0	F	570	Lubricated	B5900B	5.5	4	1200	400/3/50	11	67	1000x 738x 955	181
LN2 B6000 0 T7.5 DOL	4116026011	S2	0	F	660	Lubricated	B6000	7.5	5.5	1150	400/3/50	11	68	1000x 738x 955	240
LN2 B6000 0 T7.5 YD	4116026012	S2	0	F	660	Lubricated	B6000	7.5	5.5	1150	400/3/50	11	68	1000x 738x 955	240
LN2 B7000 0 T10 YD	4116026020	S2	0	F	1070	Lubricated	B7000	10	7.5	1150	400/3/50	11	68	1000x 738x 955	253
LN2 B7000 0 T7.5 DOL	4116026396	S2	0	F	876	Lubricated	B7000	7.5	5.5	944	400/3/50	11	68	1000 x 738 x 955	221
LN2 B7000 0 T7.5 YD	4116026398	S2	0	F	876	Lubricated	B7000	7.5	5.5	944	400/3/50	11	68	1000 x 738 x 955	221
LN0 A29 27 M2 DOL UK	4116025928	S0	27	F	255	Lubricated	A29	2	1.5	1075	230/1/50*	10	61	761x 430x845	86
LN0 A29 27 T2 DOL	4116026328	S0	27	F	255	Lubricated	A29	2	1.5	1075	400/3/50	10	61	761x 430x845	86
LN0 A29B 27 M3 DOL UK	4116025930	S0	27	F	320	Lubricated	A29B	3	2.2	1350	230/1/60*	10	62	761x 430x845	87
LN0 A29B 27 T3 DOL	4116026330	S0	27	F	320	Lubricated	A29B	3	2.2	1350	400/3/50	10	62	761x 430x845	87

* Requires a 13amp Supply

LN Silent

Noise reduction means flexibility of use



Model	Part number	Canopy size	L	config.	l/min	Oil	Pump	HP	kW	rpm	Volts	Bar	dB(A)	L x W x H (mm)	kg
LN1 A39B 100 M3 DOL UK	4116000556	S1	100	F	393	Lubricated	A39B	3	2.2	1350	230/1/50**	10	65	1067 x 580 x 1060	180
LN1 A39B 100 T3 DOL UK	4116026393	S1	100	F	393	Lubricated	A39B	3	2.2	1350	400/3/50	10	65	1067 x 580 x 1060	180
LN1 A39B 270 M3 DOL UK	4116000557	S1	270	F	393	Lubricated	A39B	3	2.2	1050	230/1/50**	10	65	1522x 580x1242	248
LN1 A39B 270 T3 DOL	4116026048	S1	270	F	393	Lubricated	A39B	3	2.2	1050	400/3/50	10	65	1522x 580x1242	248
LN1 A39B 270 T4 DOL	4116026052	S1	270	F	490	Lubricated	A39B	4	3	1300	400/3/50	10	68	1522x 580x1242	248
LN1 A49B 270 T4 DOL	4116026051	S1	270	F	553	Lubricated	A49B	4	3	1300	400/3/50	11	69	1522x 580x 1242	248
LN1 A49B 270 T5.5 DOL	4116026055	S1	270	F	598	Lubricated	A49B	5.5	4	1400	400/3/50	11	69	1522x 580x 1242	248
LN1 B5900 270 T5.5 DOL	4116026060	S1	270	F	570	Lubricated	B5900B	5.5	4	1200	400/3/50	11	67	1522x 580x 1242	248
LN2 A49B 270 T4 DOL	4116026001	S2	270	F	553	Lubricated	A49B	4	3	1300	400/3/50	11	69	1516x 738x 1513	238
LN2 B5900 270 T5.5 DOL	4116026005	S2	270	F	570	Lubricated	B5900B	5.5	4	1200	400/3/50	11	67	1516x 738x 1513	153
LN2 B5900 270 T5.5 YD	4116026006	S2	270	F	570	Lubricated	B5900B	5.5	4	1200	400/3/50	11	67	1516x 738x 1513	252
LN1 A49B 500 T5.5 DOL	4116026057	S1	500	F	598	Lubricated	A49B	5.5	4	1400	400/3/50	11	69	1937x 580x 1348	274
LN1 B5900 500 T5.5 DOL	4116026061	S1	500	F	570	Lubricated	B5900B	5.5	4	1200	400/3/50	11	67	1937x 580x 1348	274
LN2 B5900 500 T5.5 DOL	4116026007	S2	500	F	570	Lubricated	B5900B	5.5	4	1200	400/3/50	11	67	1943x 738x 1593	302
LN2 B5900 500 T5.5 YD	4116026008	S2	500	F	570	Lubricated	B5900B	5.5	4	1200	400/3/50	11	67	1943x 738x 1593	306
LN2 B5900 500 T5.5 DOL DRY	4116026009	S2	500	F	570	Lubricated	B5900B	5.5	4	1200	400/3/50	11	67	1943x 738x 1593	302
LN2 B5900 500 T5.5 YD DRY	4116026010	S2	500	F	570	Lubricated	B5900B	5.5	4	1200	400/3/50	11	67	1943x 738x 1593	306
LN2 B6000 500 T7.5 DOL	4116026015	S2	500	F	660	Lubricated	B6000	7.5	5.5	1150	400/3/50	11	68	1943x 738x 1593	404
LN2 B6000 500 T7.5 YD	4116026016	S2	500	F	660	Lubricated	B6000	7.5	5.5	1150	400/3/50	11	68	1943x 738x 1593	404
LN2 B6000 500 T7.5 DOL DRY	4116026017	S2	500	F	660	Lubricated	B6000	7.5	5.5	1150	400/3/50	11	68	1943x 738x 1593	404
LN2 B6000 500 T7.5 YD DRY	4116026018	S2	500	F	660	Lubricated	B6000	7.5	5.5	1150	400/3/50	11	68	1943x 738x 1593	404
LN2 B7000 500 T10 YD	4116026024	S2	500	F	1070	Lubricated	B7000	10	7.5	1150	400/3/50	11	68	1943x 738x 1593	448
LN2 B7000 500 T10 YD DRY	4116026026	S2	500	F	1070	Lubricated	B7000	10	7.5	1150	400/3/50	11	68	1943x 738x 1593	448
LN2 B7000 500 T7.5 DOL	4116026395	S2	500	F	876	Lubricated	B7000	7.5	5.5	944	400/3/50	11	68	1943 x 738 x 1593	331
LN2 B7000 500 T7.5 YD	4116026397	S2	500	F	876	Lubricated	B7000	7.5	5.5	944	400/3/50	11	68	1943 x 738 x 1593	335
LN2 B7000 500 T7.5 DOL DRY	4116026399	S2	500	F	876	Lubricated	B7000	7.5	5.5	944	400/3/50	11	68	1943 x 738 x 1593	354
LN2 B7000 500 T7.5 YD DRY	4116026400	S2	500	F	876	Lubricated	B7000	7.5	5.5	944	400/3/50	11	68	1943 x 738 x 1593	354

** Requires a 16amp Supply

ABAC UK
UNIT 5 WESTWAY 21
CHESFORD GRANGE, WARRINGTON
CHESHIRE
WA1 4SZ
+44 01925 817 803
WWW.ABACAIRCOMPRESSORS.COM/EN-UK

©ABAC 2022
The contents of this publication are the copyright of the publisher and may not be reproduced (even extracts) unless prior written permission is granted. Every care has been taken to ensure the accuracy of the information contained in this publication but no liability can be accepted for any loss or damage whether direct, indirect or consequential arising out of the use of the information contained herein.

